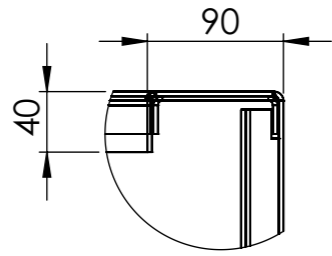
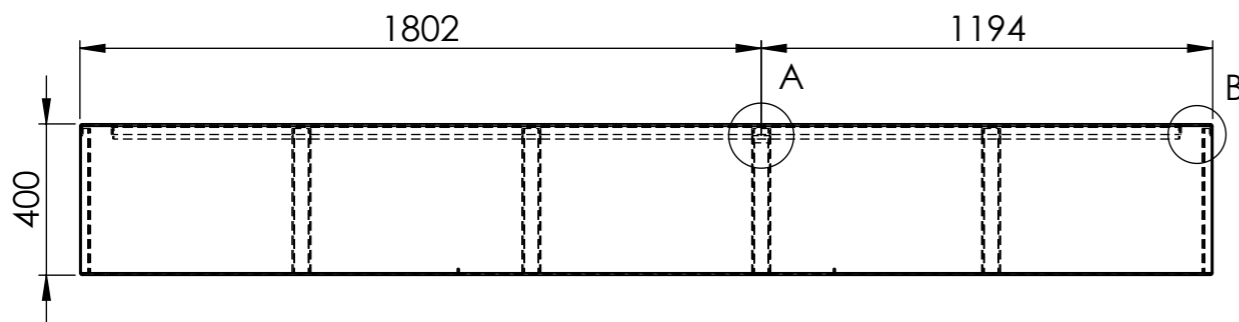
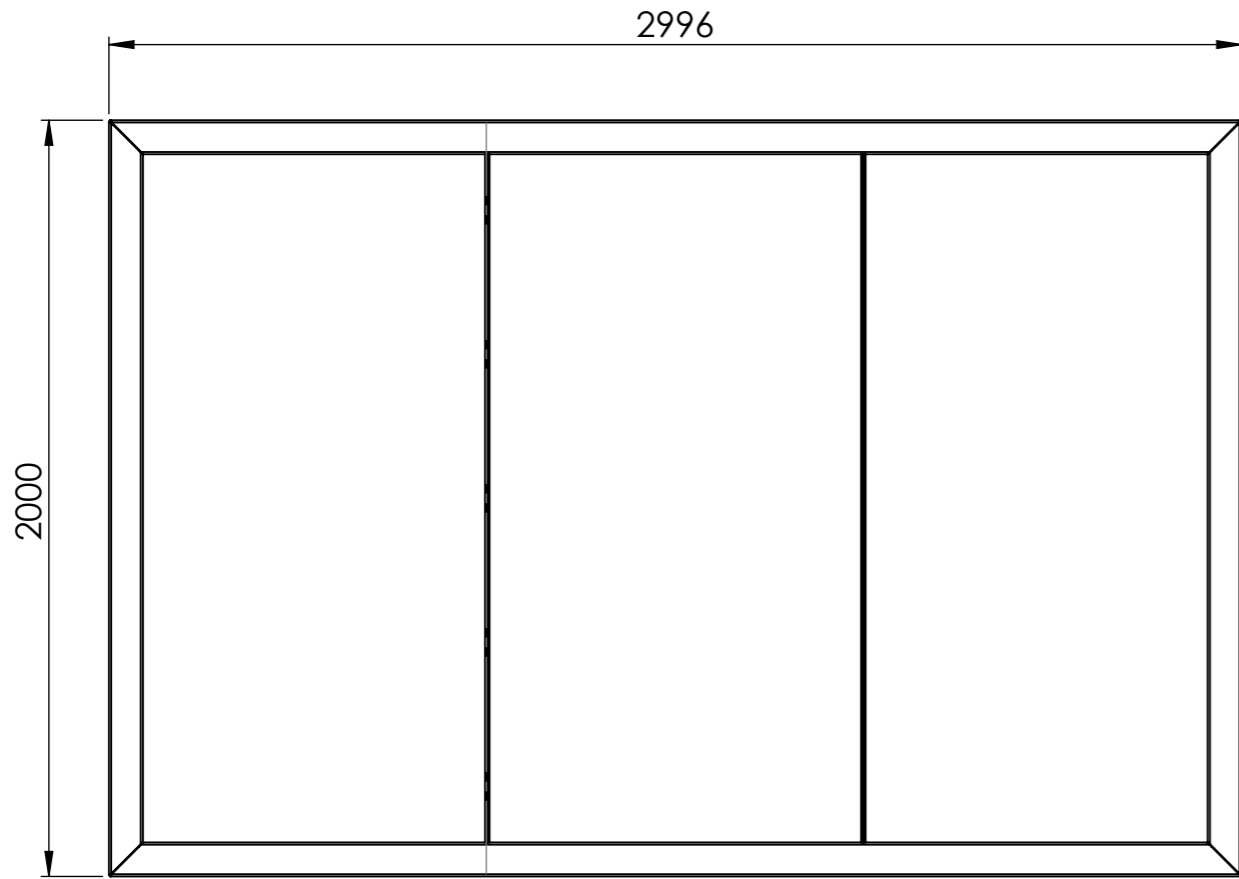
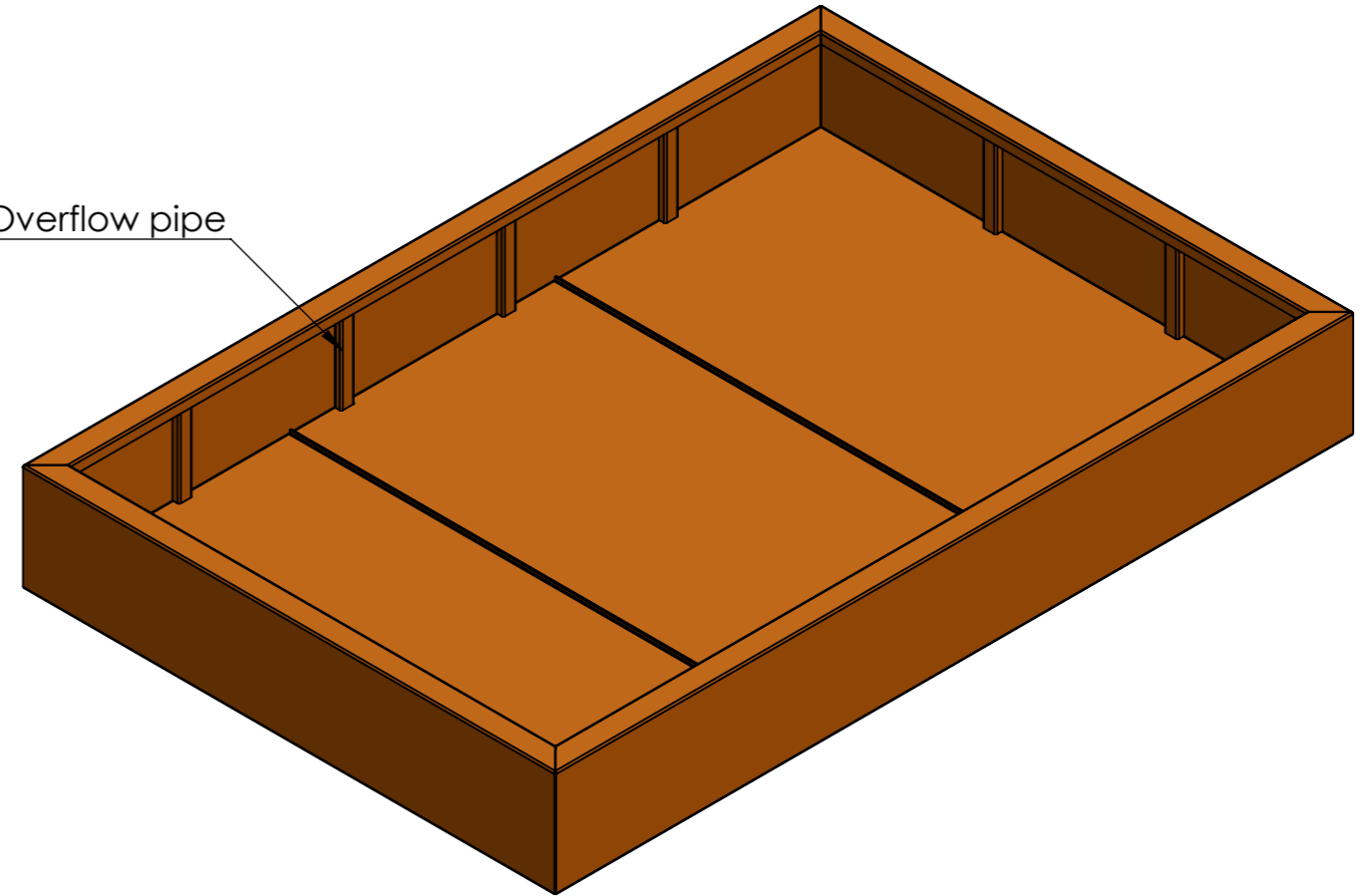


DETAIL A
SCALE 1 : 5



DETAIL B
SCALE 1 : 5

Overflow pipe



		DATE		TITLE:
DRAWN	Luuk van den Heuvel	2-2-2020		
REVISION	Bas Vlamings	5-4-2024		

ADEZZ
DESIGN TO GROW

Liessentstraat 4, 5405 AG Uden (NL).
t 0031 (0)413 - 27 41 68.
e info@adezz.com, i www.adezz.com

3mm Corten

Drawing.

VC4.1__

A3

Color:

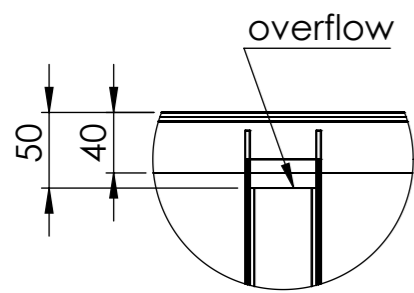
-

Mass (kg):

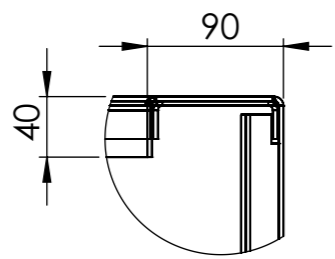
306,10

SCALE:1:20

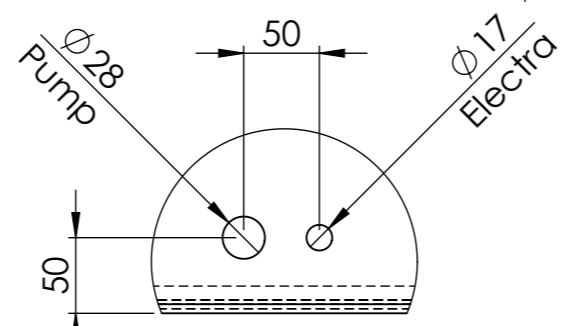
SHEET 1 OF 14



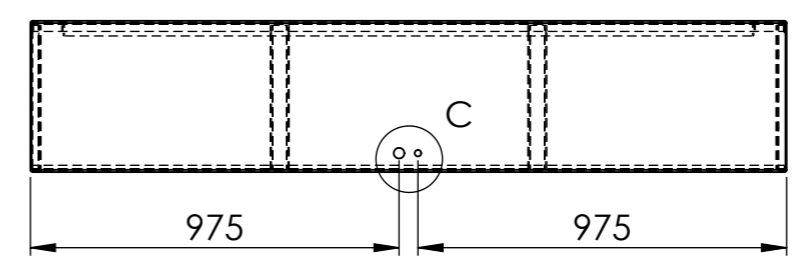
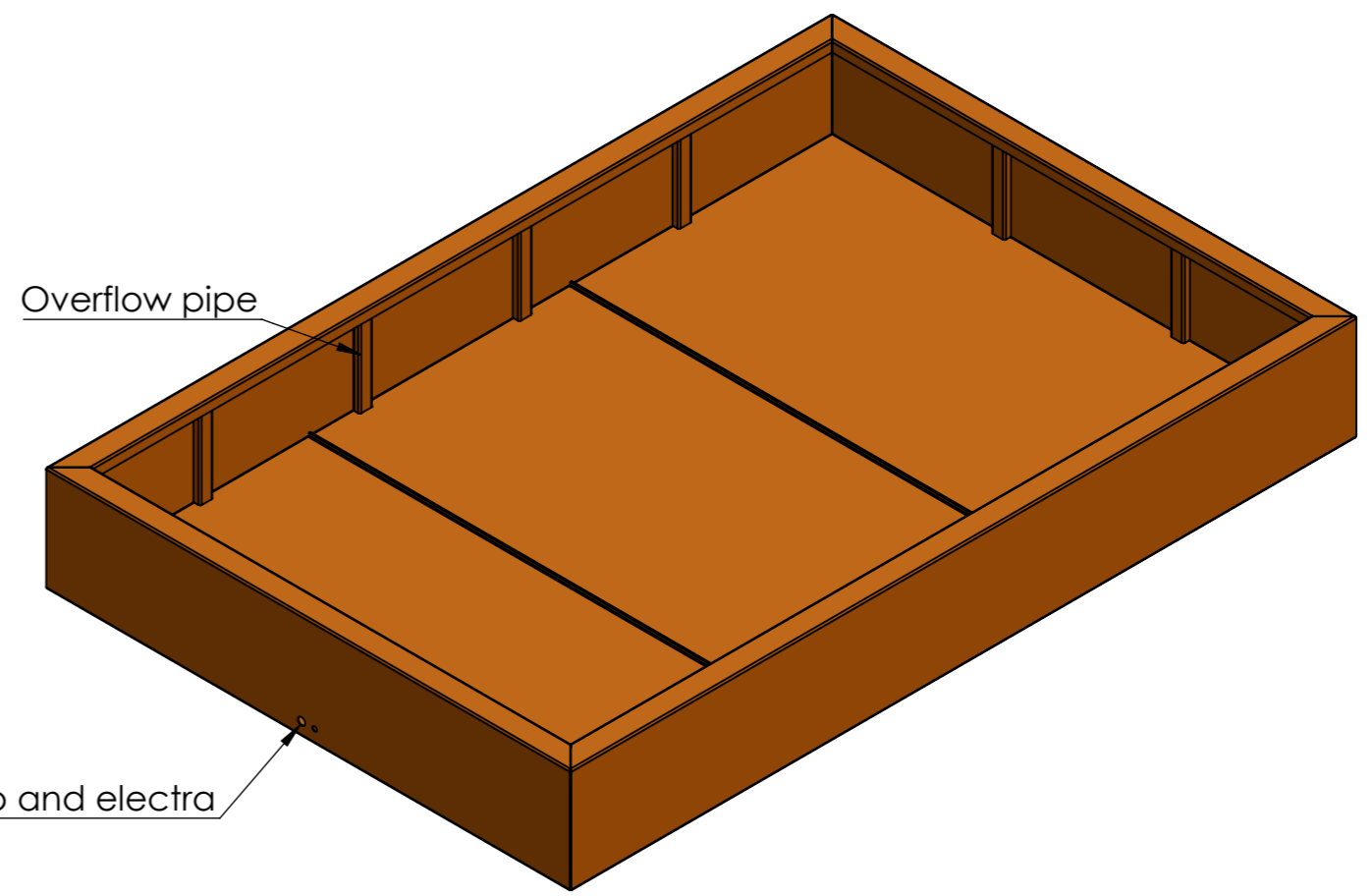
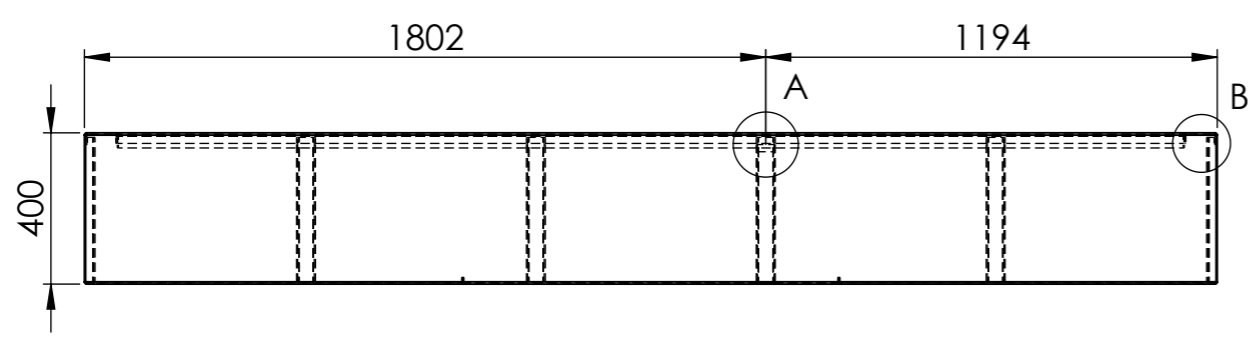
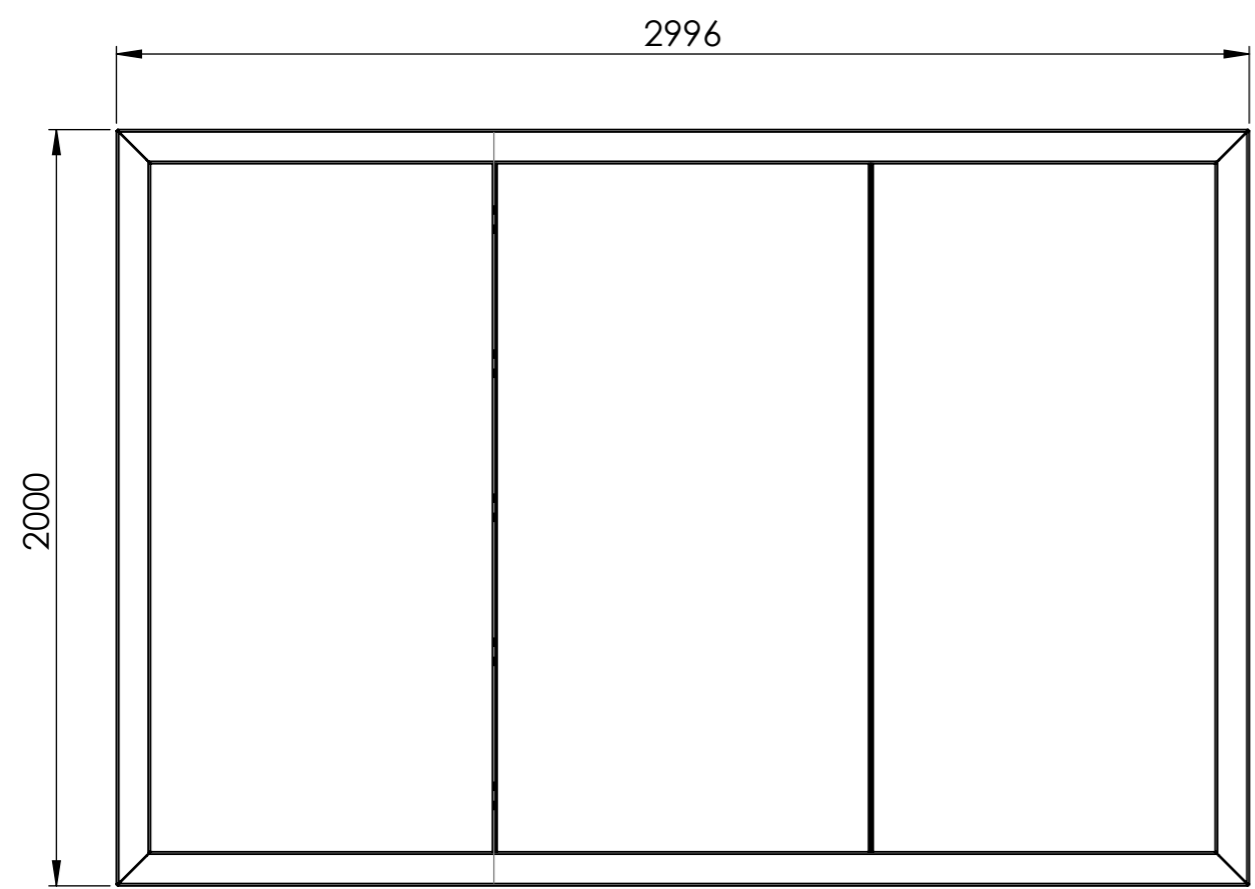
DETAIL A
SCALE 1 : 5



DETAIL B
SCALE 1 : 5



DETAIL C
SCALE 1 : 5



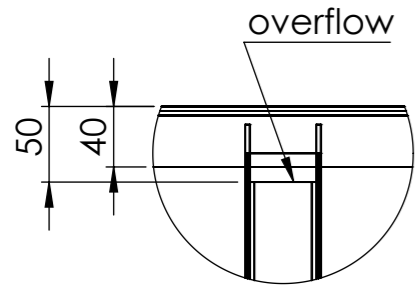
		DATE	
DRAWN	Luuk van den Heuvel	2-2-2020	
REVISION	Bas Vlamings	5-4-2024	

TITLE: **3mm Corten**

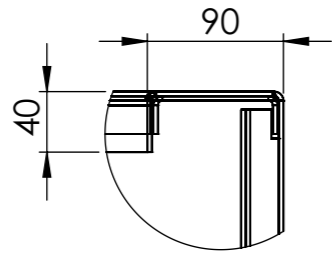
ADEZZ
DESIGN TO GROW

Liessentstraat 4, 5405 AG Uden (NL).
t 0031 (0)413 - 27 41 68.
e info@adezz.com, i www.adezz.com

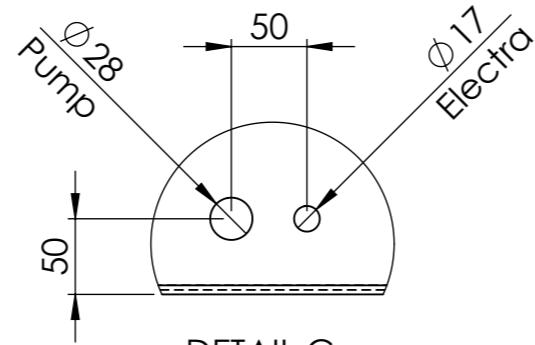
Drawing: **VC4.1__** A3



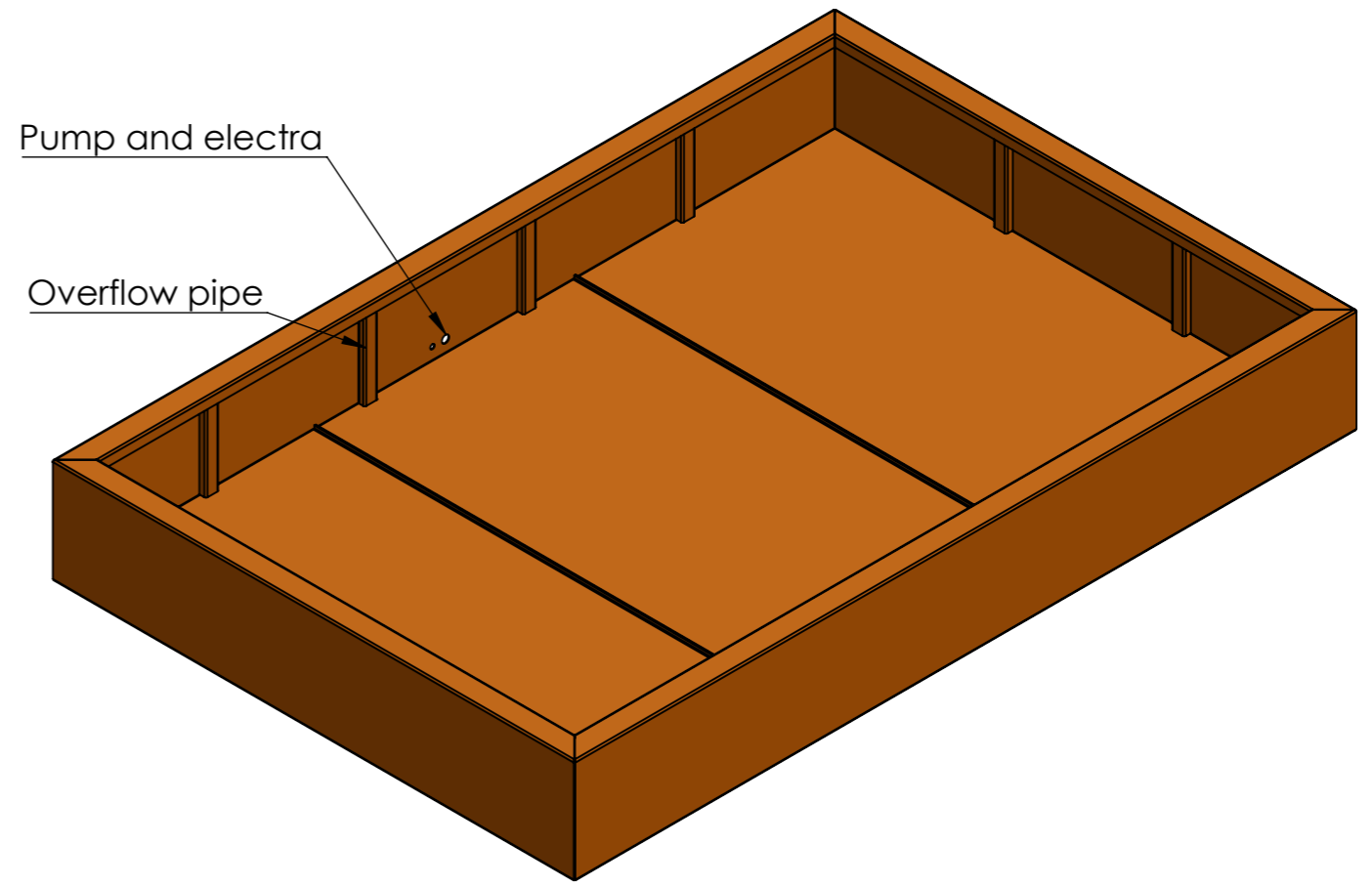
DETAIL A
SCALE 1 : 5



DETAIL B
SCALE 1 : 5

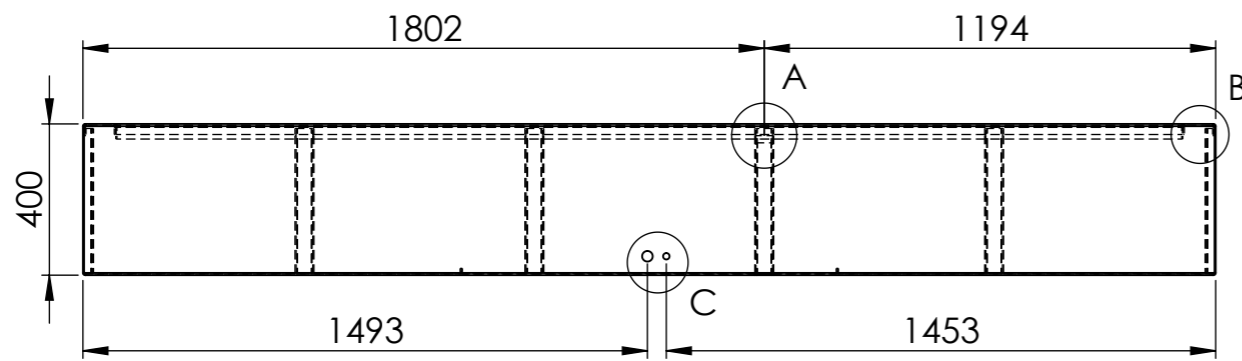
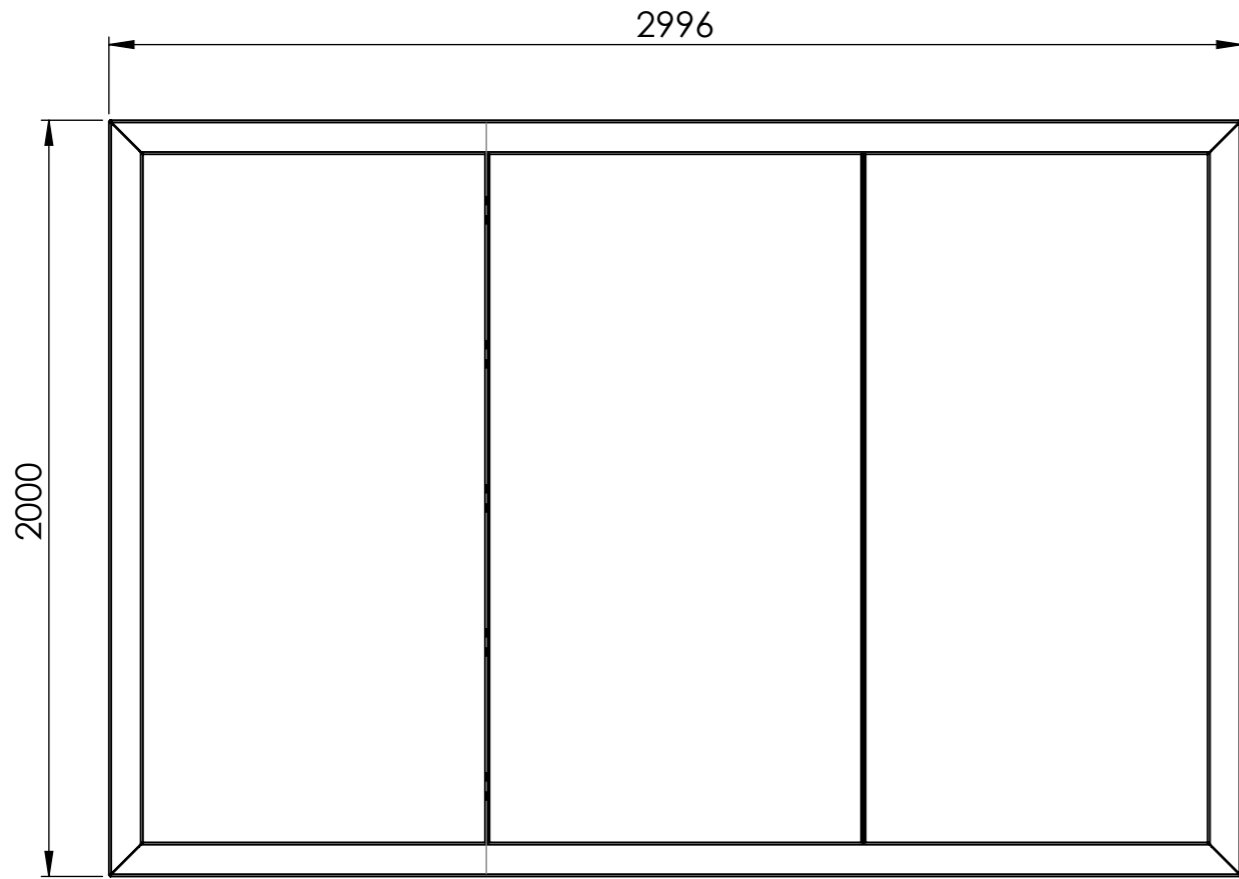


DETAIL C
SCALE 1 : 5

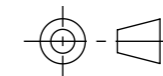


Pump and electra

Overflow pipe



DRAWN	Luuk van den Heuvel	DATE	2-2-2020
REVISION	Bas Vlamings	DATE	5-4-2024



TITLE:	3mm Corten	
--------	------------	--

ADEZZ
DESIGN TO GROW

Liessentstraat 4, 5405 AG Uden (NL).
t 0031 (0)413 - 27 41 68.
e info@adezz.com, i www.adezz.com

Drawing:	VC4.1__	A3
----------	---------	----

Color:	-	Mass (kg):	306,08	SCALE:1:20	SHEET 1 OF 14
--------	---	------------	---------------	------------	---------------